

# MECHRON POWER SYSTEMS

Rugged. Proven. Trusted.

Product Sheet



**Mechron Power Systems**  
2437 Kaladar Avenue  
Ottawa, Ontario  
Canada K1V 8B9

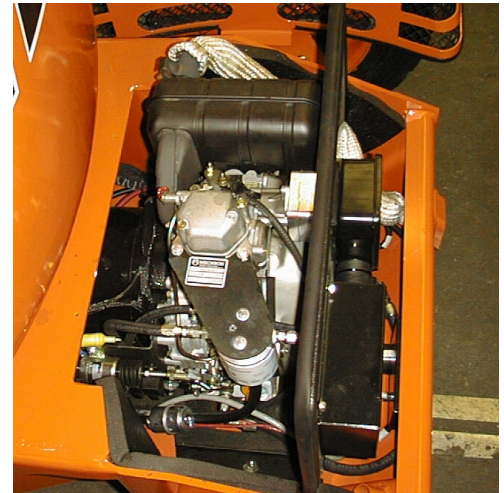
Tel: (613) 733-3855  
Fax: (613) 733-8197

[www.mechron.com](http://www.mechron.com)

A Division of  
Toromont Industries Ltd.

## Industrial Auxiliary Power Unit Model APU3300J

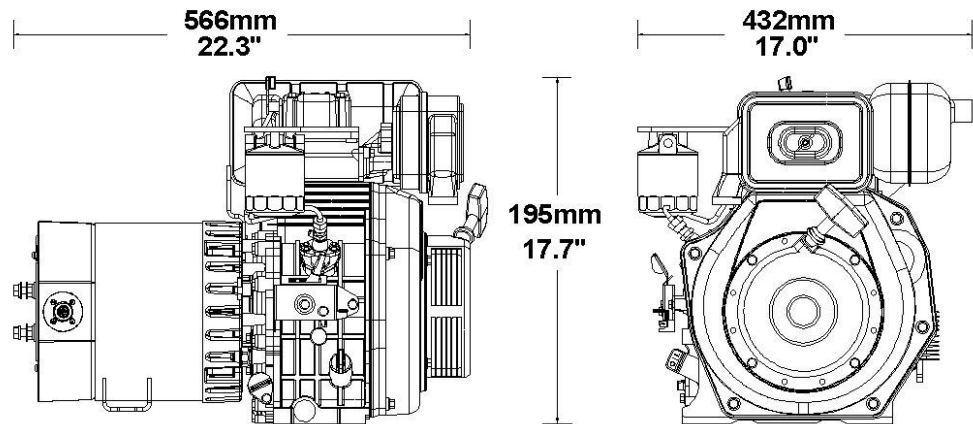
Mechron's Model APU3300J auxiliary power unit is a hardened 3.3 kW, 60 Amp unit designed for industrial heavy use applications. The diesel engine driven APU3300J is designed as a drop-in auxiliary power source for equipment using battery power as a primary source. By providing automatic and manual start control to charge the primary batteries, the Model APU3300J auxiliary power unit removes the need to take equipment out of service frequently for extended battery charging periods.



### **Features:**

- Automatic and manual start control
- Air cooled Yanmar L70 with maintenance-free direct coupled alternator
- Electric or hand start
- Preheat for cold start
- Bypass oil filtration for extended service intervals
- Automatic shutdowns include: voltage, speed, oil temperature and oil pressure
- RS232 communication port for diagnostic interface

**Dimensions APU:**



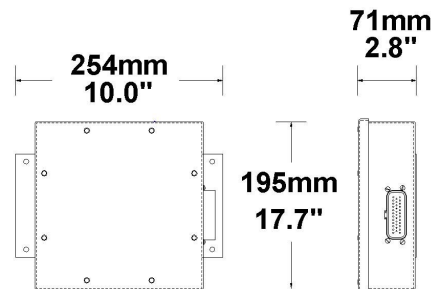
**Mechron Power Systems**  
 2437 Kaladar Avenue  
 Ottawa, Ontario  
 Canada K1V 8B9

Tel: (613) 733-3855  
 Fax: (613) 733-8197

www.mechron.com

A Division of  
 Toromont Industries Ltd.

**Dimensions APU Controller:**



**Specifications:**

<b>Power Rating</b>	2.8 kW, 60 Amp, 48 VDC nominal @ 3600 r.p.m.
<b>Voltage Regulation:</b>	Better than +/- 1%.
<b>Operating Temperature</b>	-25°C to 60°C (-13°F to 140°F)
<b>Weight</b>	70.3 kg (155 lbs)
<b>Fuel Consumption @100% Load</b>	1.6 Litres per hour (0.42 US Gallons per hour)
<b>Environmental</b>	Automotive type finishes and connectors
<b>Insulation Class</b>	Class H